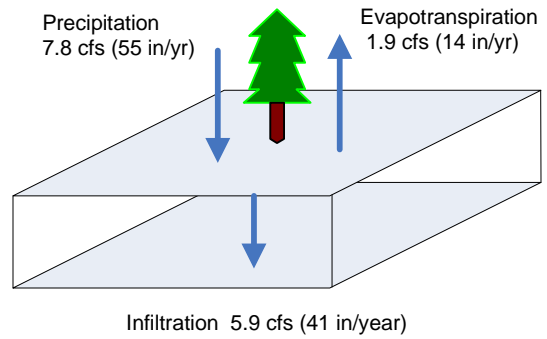


Thurston Highlands
Existing Conditions
Wet Year (1997)



Thurston Highlands with Full Build-Out
of the Master Planned Community

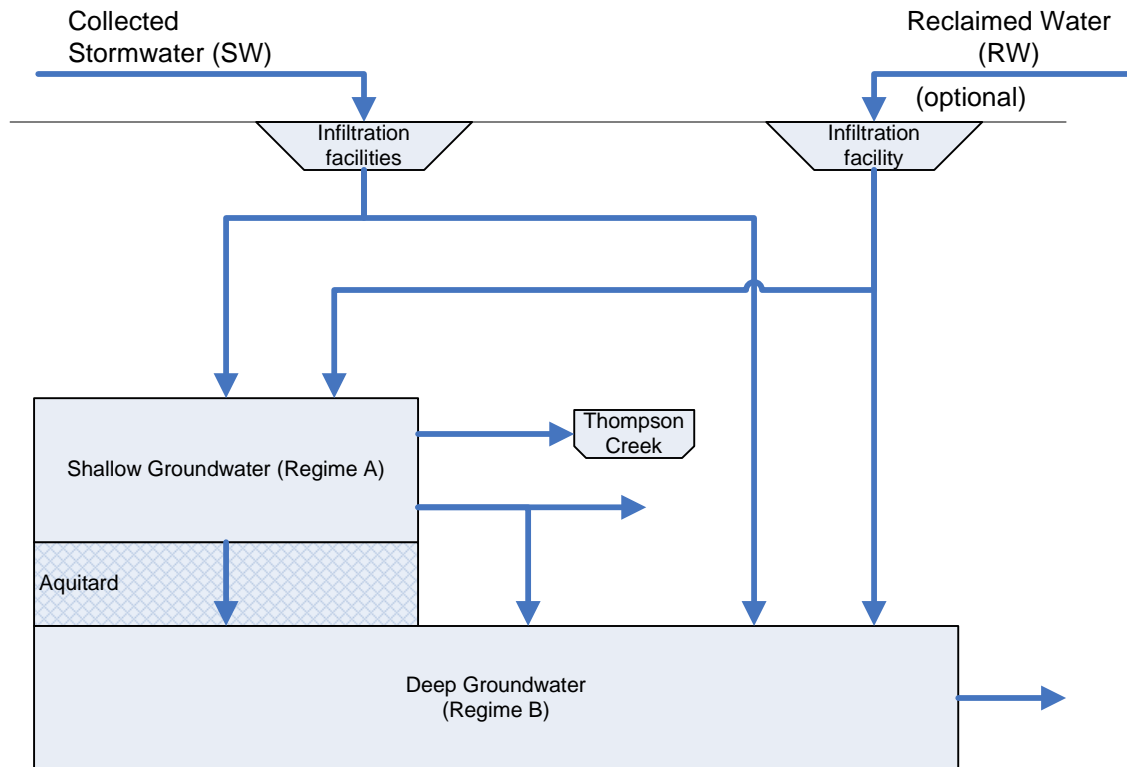


Figure 3.3-8.
Thurston Highlands Precipitation,
Evapotranspiration, and Infiltration Schematic

